

# EXIT DEVICES

## NON-HANDED RIM DEVICE MO-19-R SERIES

UL Listed  
ANSI A156.3, 1994, Grade 1



The Monarch 19-R Series Rim Device meets the demand for superior panic hardware. This durable economical device is designed to meet the needs for modern touchbar styling by eliminating the need for lever arms and crossbars. This non-handed device covers a 161 cutout and may be used on 1-3/4" narrow stile aluminum doors. The "EO" (exit only) device is ready to accept any trim function pictured on page 355.

### EXIT ONLY—(Pictured above)

Stock No.	Door Width
MO-19-R-EO 3'	For 2' 5" to 3' 0" wide doors (Short)
MO-19-R-EO 4'	For 2' 11" to 4' 0" wide doors (Long)

### EXIT ONLY (with alarm)—

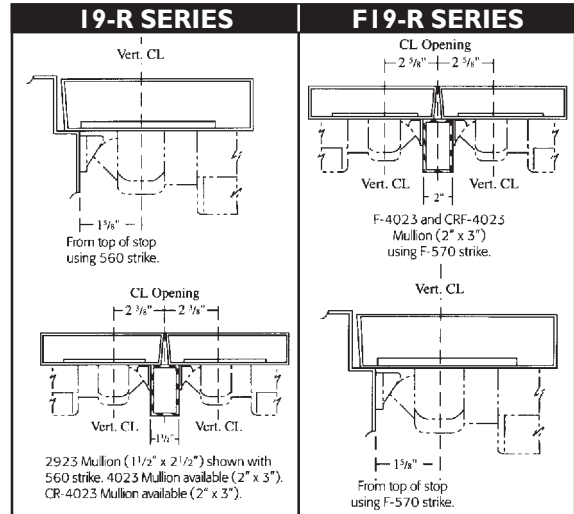
Stock No.	Door Width
MO-EA19-R-EO 3'	For 2' 5" to 3' 0" wide doors (Short)

### EXIT ONLY FIRE RATED—(SP28 ONLY)

Stock No.	Door Width
MO-F19-R-EO 3'	For 2' 5-1/4" to 3' 0" wide doors (Short)

FINISHES: SP28(MAL) Lacquer Sprayed Aluminum  
SP313(M13) Sprayed Duranodic

**TO ORDER, SPECIFY:** Device Stock No. and Finish.  
Trim Stock No. and Finish (if trim is needed)



See page 355 for trims and accessories.

### SPECIFICATIONS:

**Hand:** Non-Handed.

**Functions:** All functions built into "EO" device. All 19 Series trim works with rim or vertical devices.

**Finishes:** SP28-Lacquer Sprayed Aluminum; SP313-Sprayed Duranodic.

**Strikes:** 560 standard.

**Latchbolt:** Stainless steel, 3/4" throw.

**Deadlocking Latchbolt:** Standard.

**Dogging Feature:** 1/2 turn cam dogging standard. No threaded parts to wear out.

**Stock Sizes:** Short—2' 5" to 3' 0" wide doors; Long—2' 11" to 4' 0" wide doors

**Doors:** 1-3/4" thick, wood or metal. Other sizes are special order only.

**Overall Length:** Short: 30-1/2", Long: 44-1/8". (19-R add 3/4" for latchbolt projected)

**Narrow Stile Door:** Must order optional strike **MO-565** x finish. Also see NOTE.

**Projection:** 2-1/2" maximum; 1-7/8" dogged.

**Fasteners:** All mounting screws are concealed. Furnished with machine screws.

**Sex Bolts:** 3-#4122 (1/4-20) SNB standard. 

**ANSI:** Certified ANSI A156.3-1994 Grade 1 standards.

**161 Cutout:** Device covers 161 cutout with KIK/KIL, Centron and Trident trims. Other trim requires cover plate.

### FIRE RATED SPECIFICATIONS: (Same as above unless listed below)

**Strikes:** Stainless steel, F570 standard.

**Stock Sizes:** Short—2' 5-1/4" to 3' 0" wide doors.

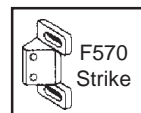
**Dogging:** Not available.

**Projection:** 2-1/2" maximum.

**Fasteners:** All mounting screws are concealed. Furnished with machine screws and SNB. 



**NOTE:** When using on narrow stile glass doors order the 4' (long) bar and cut down to size required.



# EXIT DEVICES

## REVERSIBLE VERTICAL ROD DEVICE MO-19-V SERIES

UL Listed  
ANSI A156.3, Grade1

**MONARCH**  
Exit Devices & Door Hardware



Manufactured with the same outstanding quality as the 19 Rim, the 19-V Exit Device complies with most exit door requirements. The 19-V is fully reversible and surface applied. The device is regularly furnished with pullman latch top which contains the deadlocking and latch retention feature. The "EO" (exit only) device is ready to accept any trim function shown on page 355.



### EXIT ONLY—

**Stock No.**                      **Door Width**  
**MO-19-VEO 3'**                  For 2' 5-1/4" to 3' 0" wide doors (Short)

### EXIT ONLY FIRE RATED—(Special Order)


**Stock No.**                      **Door Width**  
**MO-F19-VEO 3'**                  For 2' 5-1/4" to 3' 0" wide doors (Short)

**FINISHES:** **SP28(MAL)** Lacquer Sprayed Aluminum  
**SP313(M13)** Sprayed Duranodic

See page 355 for trims and accessories.


**TO ORDER, SPECIFY:**  
Device Stock No., Finish and Hand(LHR or RHR)  
Trim Stock No. and Finish (if trim is needed)

### SPECIFICATIONS:

- Hand:** Field reversible.
- Functions:** All functions built into "EO" device. All 19 Series trim works with rim or vertical devices.
- Finishes:** **SP28**-Lacquer Sprayed Aluminum; **SP313**-Sprayed Duranodic.
- Strikes:** Surface applied 4163 strike is standard. 2130 strike is mortised into floor.
- Latchbolt:** Top Stainless steel, 3/4" throw.
- Deadlocking Latchbolt:** Standard.
- Dogging Feature:** 1/2 turn cam dogging standard. No threaded parts to wear out.
- Stock Sizes:** Short—2' 5-1/4" to 3' 0" wide doors.
- Doors:** 1-3/4" thick, wood or metal. Other sizes are special order only.
- Overall Length:** Short: 30-1/2", Long: 44-1/8".
- Narrow Stile Door:** To 1-3/4" N.S. aluminum. With control trim-1/4" min stile. 4' (long) device is recommended (special order only).
- Projection:** 2-1/2" maximum: 1-7/8" dogged.
- Fasteners:** All mounting screws are concealed. Furnished with sheet metal screws for mounting rods. #2729 sex bolts (special order) required if mounting on hollow core wood, light gauge hollow metal, etc.
- Sex Bolts:** 3-#4122 (1/4-20) SNB standard for mounting bar. 
- ANSI:** Certified ANSI A156.3, Grade 1 standards.
- 19-v1 x 2130:** Pullman latch top and bottom. 4163 strike top, 2130 flush strike bottom.
- 161 Cutout:** device covers 161 cutout with KIK/KIL, centron and trident trims. Other trim requires cover plate.



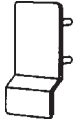
### FIRE RATED SPECIFICATIONS: (Same as above unless listed below)

- Strikes:** 3788 surface applied strike standard. 2130 strike is mortised into floor.
- Stock Sizes:** Short—2' 5-1/4" to 3' 0" wide doors.
- Dogging:** Not available.      **Projection:** 2-1/2" maximum. 
- Fasteners:** All mounting screws are concealed. Furnished with machine screws and SNB.

Need a Monarch Product not shown?? Just give us a call — 1-800-848-1577

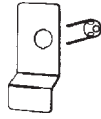
# EXIT DEVICES

## TRIMS—For 19 Series



Trident Pull  
**MO-920DT\***  
(Old# 1953DT)  
SP28, SP313

\*Specify Hand:  
LHR or RHR



Trident Pull  
**MO-920NL\***  
(Old# 1955P)  
SP28, SP313



Centron Trim  
**MO-930C**  
(Old# 2302)  
SP28, SP313



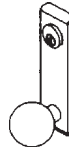
Centron Trim  
**MO-930NL**  
(Old# 2305)  
SP28, SP313



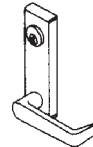
T-Control  
**MO-910TP**  
(Old# 1906RVL)  
SP28, SP313



P-Control  
**MO-910NL**  
(Old# 1909)  
SP28, SP313

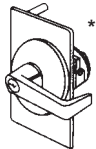


K-Control  
**MO-911K**  
(Old# 1907RVL)  
SP28, SP313



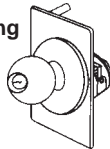
L-Control  
**MO-912L** LHR or RHR  
(Old# 1910RVL, 1910RR)  
SP28, SP313

Specify  
Hand



Key-in-lever  
**MO-914KIL-KD\***  
(Old# 2400KD)  
US-32D, SP313

\*Field Reversible Handing  
Cylinders included on  
MO-914 and MO-913  
Schlage C keyway



Key-in-knob  
**MO-913KIL-KD\***  
(Old# 2410KD)  
US-32D

### FUNCTION:

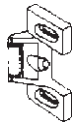
Keyed trims lock or unlock trim. Lever/knob/thumbturn retracts latchbolt when trim is unlocked.

### CYLINDERS NOT INCLUDED

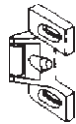
### FINISHES:

**SP28** (MAL) Lacquer Sprayed Aluminum  
**SP313** (M13) Sprayed Duranodic  
**US-32D** Satin Stainless Steel

## STRIKES—Specify Finish



Roller Strike  
**MO-490**  
Unfinished



Fire Rated Roller Strike  
**MO-F490**



Rim Strike  
**MO-565**  
SP28, SP313



Rim Strike  
**MO-570**  
32D



Fire Rated Rim Strike  
**MO-F570**  
32D

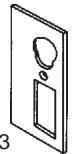


Rim Strike on  
Double Doors  
**MO-571**  
SP28, SP313

## COVER PLATES—Specify Finish



**MO-4167** SP28, SP313  
For 19 Series T and DT control



**MO-4170** SP28, SP313  
For 19 Series K, L, DT-K, DT-L  
control

## HEX KEY—



**MO-2789** 7/32" Hex key for 19 Series.