

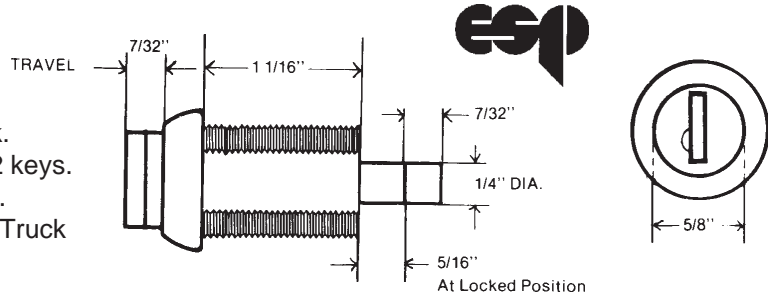
# CAM LOCKS

## TRUCK BODY UTILITY TOOL BOX PLUNGER LOCK

- 5 wafer tumbler cylinder.
- Regularly furnished with 1 key, ES8 keyblank.
- Standard package includes 2 locks KA with 2 keys.
- Regularly furnished with 3/4-24 mounting nut.
- Standard replacement for Contico and Delta Truck Body tool boxes.

**Stock No.**  
**ES-1062STD**

• **Operation** — Key turns 90° CW allowing spring loaded plunger to be depressed for striking action. Plunger returns to starting position when pressure is released. Key is removable in locked and unlocked position.



## SINGLE BITTED CAM LOCKS

- Single bitted.
- IN8 Keyway.
- Finish: Stainless Steel or brass.
- Two keys furnished per lock.



**Contains:**  
Lock 90° Stop Washer  
Cylinder Ring Straight Cam  
Spur Washer 1/4" Bent Cam  
3/4" Nut 1/4" Nut  
180° Stop Washer

### STAINLESS STEEL FINISH

Stock No.	A	Keyed Alike Numbers Available
JT-CM7161	7/16"	330, 331, 332, 334
JT-CM0581	5/8"	330, 331, 332, 334
JT-CM0781	7/8"	330, 331, 332, 334
JT-CM1181	1-1/8"	330, 331, 332, 334
JT-CM1381	1-3/8"	330, 331, 332, 334
JT-CM1341	1-3/4"	330, 331, 332, 334

### BRASS FINISH

Stock No.	A	Keyed Alike Numbers Available
JT-CM0582	5/8"	330
JT-CM0782	7/8"	330
JT-CM1182	1-1/8"	330
JT-CM1382	1-3/8"	330

Most Locks available **KD**-Keyed Different or **KA**-Keyed Alike. *Specify KD or KA*

## TUBULAR CAM LOCKS

- Two keys furnished per lock.

**Contains:**  
Lock 90° Stop Washer  
Spur Washer(2) Straight Cam  
3/4" Nut 1/4" Bent Cam  
180° Stop Washer 1/4" Nut



## THUMBTURN CAM LOCKS

### CHROME FINISH

Stock No.	A
JT-TT0781	7/8"

**Contains:**  
Lock  
Spur Washer  
3/4" Nut  
90° Stop Washer  
Straight Cam  
1/4" Bent Cam  
Screw



### CHROME FINISH

Stock No.	A	Keyed Alike Numbers Available
JT-TB11161	11/16"	1248,0759,7901
JT-TB15161	15/16"	1248,0759,7901
JT-TB19161	1-3/16"	1248,0759,7901
JT-TB23161	1-7/16"	1248,0759,7901

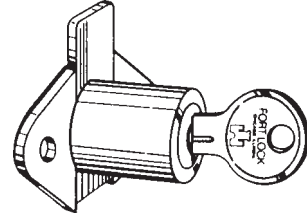
### CONVERSION CHART

Jet	Fort	All-Lock	CCL	Chicago	ESP	National
CM7161	MFW23038	C8199			437	C8051
CM0581, 2	MFW23058	C8499	15751	C1725	625	C8052
CM0782, 2	MFW23078	C8599	15752	C1701	875	C8053
CM1181, 2	MFW23118	C8699	15753	C1702	1125	C8054
CM1381, 2	MFW23138	C8799	15760	C1704	1375	C8055
CM1341	MFW23168		15259			C8060
TT0581	MFWTT058				TT625STD	
TT0781	MFWTT078				TT875STD	
TT1181					TT1125STD	
TB11161	MFW1058	C7100		4153		
TB15161	MFW1078	C7200		4152		
TB19161	MFW1118	C7300		4160		
TB23161	MFW1148	C7400		4160-25		

**We also stock Jet's Desk Locks, Showcase Locks, Drawer Locks, Mail Box Locks, File Cabinet Locks**

# CHEST, CUPBOARD & DRAWER LOCKS

## 23000 SERIES SINGLE BITTED DRAWER LOCKS W/UNIVERSAL KEYWAY



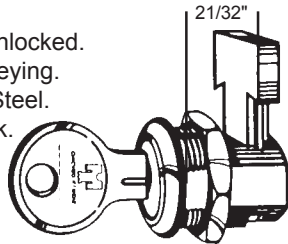
- Single bitted.
- Universal Keyway—K54G. (See next page)
- Multi-function—Latch & Deadlatch included.
- Keypull at 12:00 & 3:00.
- Finish: Brass or Stainless Steel.
- Two keys furnished per lock.

Stock No.	Finish	Hole Diameter	Keyed Alike Numbers Available
<b>MFW-23007</b>	Stainless Steel	7/8"	221
<b>MFW-23007B</b>	Brass	7/8"	217
<b>MFW-23008B</b>	Brass	1-1/8"	217

Available **KD**-Keyed Different or **KA**-Keyed Alike. *Specify KD or KA*

## 23000 SERIES MULTI-FUNCTION METAL DRAWER LOCK w/UNIVERSAL KEYWAY

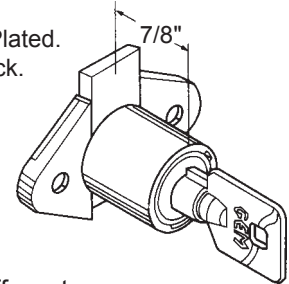
- Single bitted.
- Multi-function—2 bolt throw heights.
- Bolt notched for assembled installation.
- 90° key turn to open.
- Key removable locked or unlocked.
- Removable cylinder for rekeying.
- Finish: Brass or Stainless Steel.
- Two keys furnished per lock.



Stock No	Keying
<b>MFW-23010 KD</b>	Keyed Different
<b>MFW-23010 KA</b>	Keyed Alike—217, 221, 224, 237, 238

## 1000 SERIES HIGH SECURITY TUBULAR DRAWER LOCK

- 7 pin tumbler.
- 3/8" bolt throw.
- Keypulls at 12:00 & 6:00.
- 180° key turn to open
- Standard finish: Chrome Plated.
- Two keys furnished per lock.

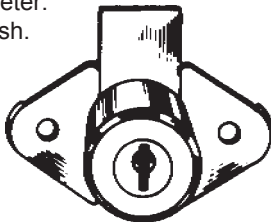


Discontinued. Call for closeout prices.

Stock No	Keying
<b>DR-1008 KD</b>	Keyed Different
<b>DR-1008 KA</b>	Keyed Alike—27379, 27380

## DRAWER AND CABINET LOCKS

- Single bitted.
- Key removable at 12:00 & 6:00.
- Keyway: O1014S.
- 7/8" diameter.
- Brass finish.



Stock No.	Barrel Length	Keyed Alike Number Available
<b>1701-04-11</b>	3/4"	EB78
<b>1702-04-11</b>	7/8"	EB8, EB72, EB78, EB92

Available **KD**-Keyed Different or **KA**-Keyed Alike. *Specify KV or KA*

## BRASS WOOD DRAWER LOCKS

- Single bitted.
- Keyway: IN8.
- Brass finish.
- Two keys per lock.
- 7/8" diameter.



### CONVERSION CHART

Jet	DR0782	DR1182
Fort	MFW23007	MFW23008
CCL	02066-7/8	02066-1 1/8
Chicago	C1968	
ESP	875WD	1125WD
National	C8803	

Stock No.	Barrel Length	Keyed Alike Number Available
<b>JT-DR0782</b>	7/8"	330,331
<b>JT-DR1182</b>	1-1/8"	330,331

Available **KD**-Keyed Different or **KA**-Keyed Alike. *Specify KD or KA*

©ZIPF LOCK COMPANY

Also be sure to check "DESKS LOCK" if you cannot find it here.

# FILE CABINET LOCKS

## DISC TUMBLER FILE CABINET LOCK

**APPLICATION**—Used internally on filing cabinets to gang lock drawers.

**OPERATION**—Key removable in locked position only.

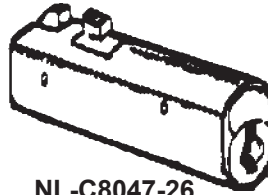
**KEYING**—Keyed only to "Pundra" keyway.

**KEY BLANK**—D8776.

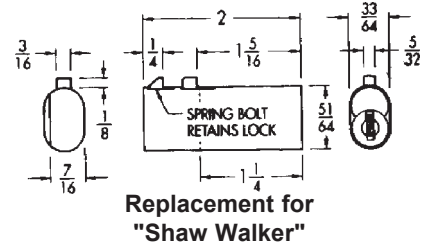
**PACKAGING**—Supplied with two keys.

**FINISHES**—26-Bright Chrome.

**CompX**  
NATIONAL



NL-C8047-26



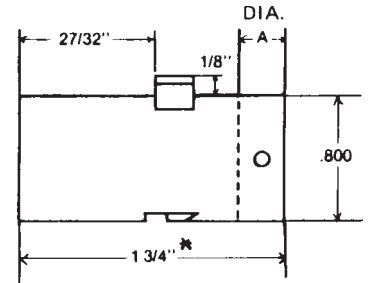
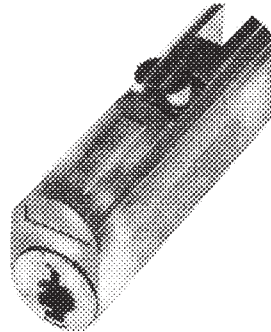
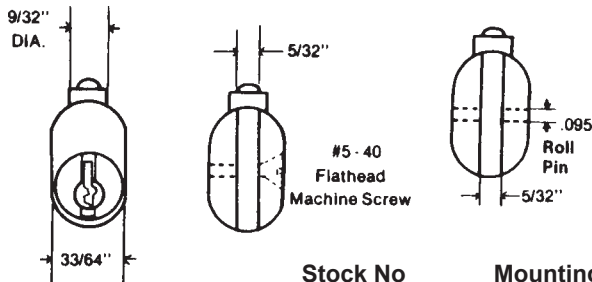
Stock #	Installation	Bolt Type	Cylinder Length	Bolt Travel	Keyed Alike Numbers Available
NL-C8047-26	File Cabinet	Spring	—	1/8"	P141A

Available **KD**-Keyed Different or **KA**-Keyed Alike. *Specify KD or KA*

## ES-1750 Series Pin Tumbler File Cabinet Locks



- 4 pin tumbler cylinder.
- Regularly furnished with 2 keys, ES1 key blanks.
- Available keyed alike (KA) or keyed different (KD).



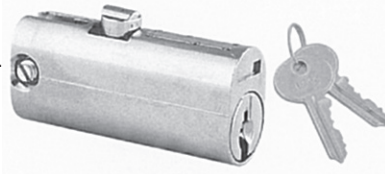
Stock No	Mounting	"A" Dimension	Keyed Alike Number Available
ES-1750P312	roll pin	5/16"	L009
ES-1750S312	machine screw	5/16"	L009
ES-1750P500	roll pin	1/2"	L006
ES-1750S500	machine screw	1/2"	L008

**TO ORDER:** Specify Stock No. and keying (KA or KD)

**NOTE:** 312 Series replacement for Hon. Equivalent to Chicago 5001LP.  
500 Series replacement for Anderson Hickey. Equivalent to Chicago 5001-50LP.

## CHROME FILE CABINET LOCK

- Single bitted.
- Keyway: HL1
- 1-3/4" length.



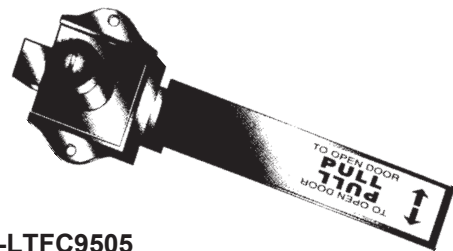
**TET**

**CONVERSION CHART**  
For **FD1341**:  
Chicago: C5001-LP  
ESP: 1750S312  
National: C8150  
For **FR1341**:  
ESP: 1750S500

Stock No.	Slot Depth	Keyed Alike Number Available
JT-FD1341	1/2"	L009
JT-FR1341	5/16"	L009

Available **KD**-Keyed Different or **KA**-Keyed Alike.  
*Specify KD or KA*


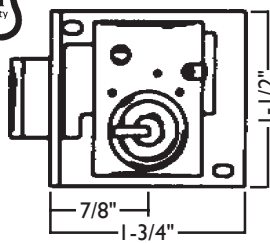
## PRO-LOK®



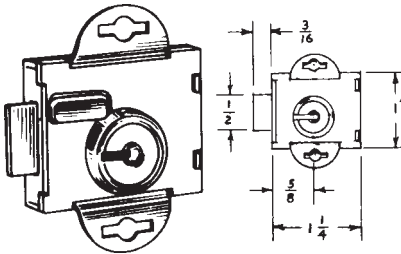
**PK-LTFC9505**  
**Fire Cabinet Lock**

Self contained trip lever cylinder lock assembly fits glass fire cabinet doors. Keyed alike LL24.


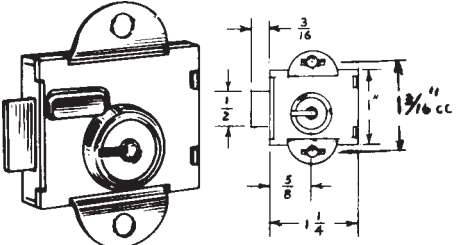
# MAIL BOX LOCKS

**Stock No.** B25389  
**Description** 3 lever Steel



**Stock No.** LOR-1600  
LOR-1625  
**Description** 3/16" Bolt Throw  
1/2" Bolt Throw

**Stock No.** LOR-1675  
**Description** 3/16" Bolt Throw For Couch

**Stock No.** LOR-1650  
**Description** 3/16" Bolt Throw

## CHROME MAILBOX LOCKS

- Single bitted.
- Keyway: NA14.
- Supplied with cams shown.



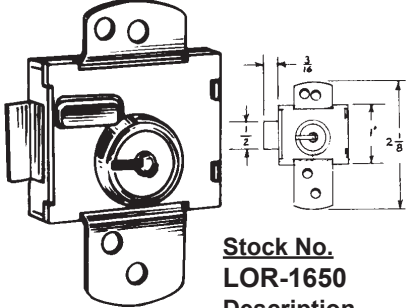
**Stock No.** JT-MBINT1  
**Description** For interior, Nut or clip mounted

**Stock No.** JT-MBEXT1  
**Description** For exterior, Clip mounted. Has keyway dust shutter. Available KD-Keyed Different only.



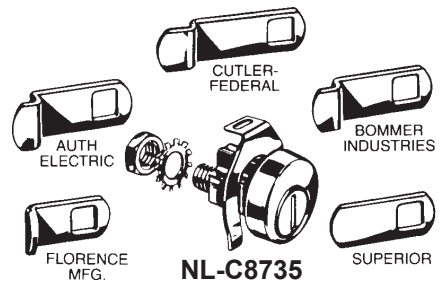
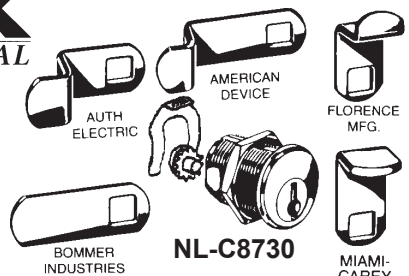
**CONVERSION CHART**

Jet	National
MBINT1	C8730
MBEXT1	C8735



**Stock No.** LOR-1650  
**Description** 3/16" Bolt Throw

## Pin Tumbler "Multi-Cam"™ Mail Box Locks



This lock meets U.S.P.S. specification #L-1172 and drawing #1003833 for NDCBU and CBU applications.

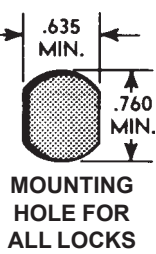
**APPLICATION**—Interior architectural mail boxes used in apartments, condominiums, schools, lobbies. **Nut or clip mounted.**

**OPERATION**—90° counter-clockwise cam turn to open. Key removable in locked position only.

**KEYING**—Available keyed different only.

**KEY BLANK**—D4291.

**PACKAGING**—Supplied with selection of five cams, two keys, mounting nut, mounting clip and cam screw.



**APPLICATION**—Exterior pedestal-mounted neighborhood boxes. Has keyway dust shutter for lock protection. **Clip mounted.**

**OPERATION**—90° clockwise cam turn to open. Key removable in locked position only.

**KEYING**—Available keyed different only.

**KEY BLANK**—D4291.

**PACKAGING**—Supplied with selection of five cams, three keys, mounting clip, cam locking nut.

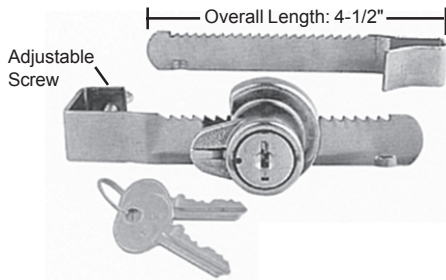
Stock No.	Installation	Direction of Turn to Open	Key Blank
NL-C8730-14A	Architectural Mail Box Fronts	90°c/cw	D4291
NL-C8735-14A	Door of Pedestal Mounted Neighborhood Boxes	90°cw	D4291

©ZIPF LOCK COMPANY

# SHOWCASE LOCKS

## UNIVERSAL SHOWCASE LOCK

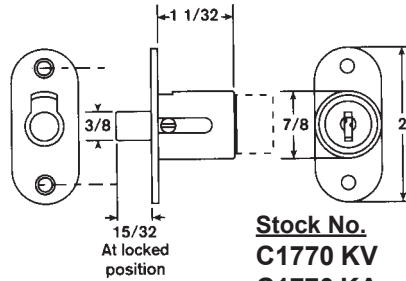
- Single bitted.
- Keyway: HL1.
- Chrome finish.
- Two keys per lock.



**Keyed Alike**  
**Number Available**

**Stock No.**  
**JT-SC0001** 201,217,330  
Available **KD**-Keyed Different or **KA**-Keyed Alike.  
**Specify KD or KA**

**CONVERSION CHART**  
Fort: MFWSG23000  
ESP: 7/8



**Stock No.**  
**C1770 KV** Keyed Different\*  
**C1770 KA** Keyed Alike #1289

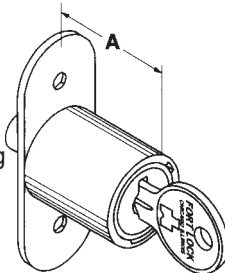
## SINGLE BITTED SLIDING DOOR LOCKS

- Five disc tumbler plug in 7/8" diameter.
- Die cast barrel.
- Keypull in locked and unlocked positions.
- Mounting plate is 5/64" x 7/8" x 2" with 1-1/2" between mounting hole centers.
- Utilizes a spring bolt which locks by pushing the cylinder in and released by turning the key 90° from locked (12:00) to unlocked (3:00) position.
- Two keys per lock.
- Standard Finish - Satin Chrome.

\*KV indicates the majority of the quantity of locks will be keyed different. A lesser quantity will potentially be keyed alike to one or more key numbers. We can not guarantee that we can ship keyed DIFFERENT locks.



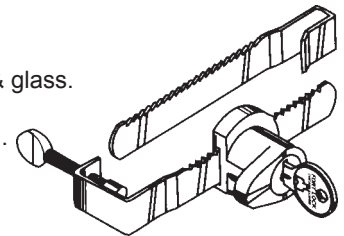
- Plunger Action, Wood Door Lock.
- 23000 Series Keyway. Disc tumbler.
- Nickel finish.
- 15/32" Bolt Throw.
- **"A" Dimension: 1-1/4"**.
- Key pull at 12:00 only in unlocked position (3:00). Turn key back to 12:00 to remove key, then push plug in to lock.



**Stock No.**  
**SD-990 KD** Keyed Different  
**SD-990 KA** Keyed Alike\*  
**\*Specify KA#:** 217, 221, 224, 237, 238.

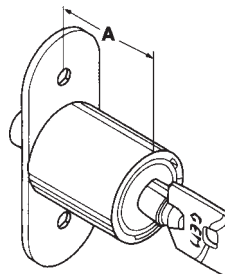
**Keying**

- 2 one-way bars, wood & glass.
- 90° key turn to open.
- Key removable at 12:00.
- Removable cylinder for rekeying.
- Anti-spread housing.
- Nickel finish.
- Single bitted with universal keyway.



**Stock No.**  
**MFWSG-23000 KD** Keyed Different  
**MFWSG-23000 KA** Keyed Alike\*  
**\*Specify KA#:** 217, 221, 224, 237, 238.

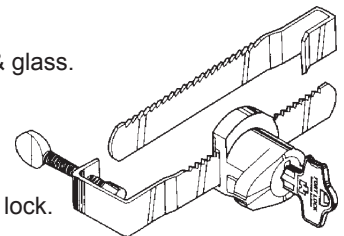
- Plunger Action Wood Door Lock.
- Chrome finish.
- 15/32" bolt throw.
- 90° key turn, plunger slides out to lock.
- **"A" Dimension: 1-1/32"**.
- Key pull at 12:00 only in unlocked position (3:00). Turn key back to 12:00 to remove key, then push plug in to lock.



**Stock No.**  
**SD-1990 KD** Keyed Different  
**SD-1990 KA** Keyed Alike\*  
**\*Specify KA#:** 27379, 27380.

**Keying**

- 2 one-way bars, wood & glass.
- Removable cylinder for rekeying.
- Anti-spread housing.
- Nickel finish.
- Double bitted 5 tumbler lock.



**Stock No.**  
**MFWSG-29000 KD** Keyed Different  
**MFWSG-29000 KA** Keyed Alike\*  
**\*Specify KA#:** D3012, D3045, D3059, D3085, D3165.

**Keying**