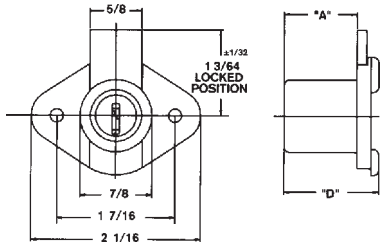


# DESK LOCKS

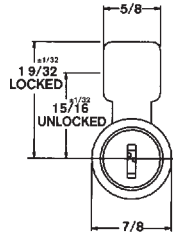
## BOLT TYPE LOCKS



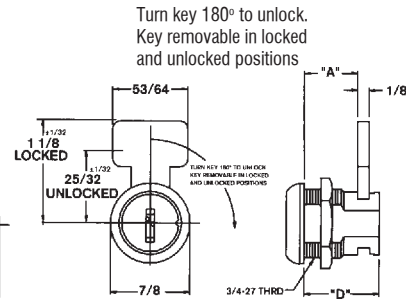
- Five Disc tumbler.
- Removable plug feature.
- Steel locking bolt.
- Furnished with two keys per lock.



C1968



C1975



C1974

Stock No.	A	D	Finish	Keyed Alike Numbers Available
C1968	57/64"	1-5/32"	Brushed Brass	1289, 1454
C1974	19/32"	27/32"	Satin Chrome	1289, 1454
C1975	21/32"	57/64"	Satin Chrome	1289, 1454

Available **KV**-Keyed Different or **KA**-Keyed Alike. *Specify KV or KA*

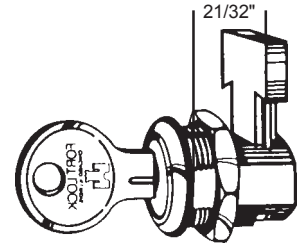
\*KV indicates the majority of the quantity of locks will be keyed different. A lesser quantity will potentially be keyed alike to one or more key numbers. We can not guarantee that we can ship keyed DIFFERENT locks.

## 23000 SERIES MULTI-FUNCTION METAL DRAWER LOCK w/UNIVERSAL KEYWAY



- Single bitted.
- Multi-function—2 bolt throw heights.
- Bolt notched for assembled installation.
- 90° key turn to open.
- Key removable locked or unlocked.
- Removable cylinder for rekeying.
- Finish: Brass or Stainless Steel.
- Two keys furnished per lock.

Stock No	Keying
MFW-23010 KD	Keyed Different
MFW-23010 KA	Keyed Alike—217, 221, 224, 237, 238



## PIN TUMBLER DOOR DRAWER LOCKS

**APPLICATION**—For center drawers of desks. Fits special piercing of drawer front and selvedge (see drawing). Reinforced insertable dead bolt. Metal drawer, 1/4" Max. material thickness.

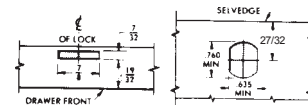
**OPERATION**—Key removable in both locked and unlocked positions.

**KEYING**—Will key together with all other pin tumbler locks using D4291 key blank except NL-C8700 mail box locks. Available keyed different (**KD**) or keyed alike (**KA**).

**KEY BLANK**—D4291.

**PACKAGING**—Supplied with two keys and mounting nut.

**FINISHES**—26D- Dull Chrome.



Mounting Holes



Stock #	Mounting or Installation	Bolt Type	Cylinder Length	Bolt Travel	Keyed Alike Number Available
NL-C8137-26D	Drawer	Reinforced, Insertable Dead Bolt	19/32"	7/16"	107, 915

Available **KD**-Keyed Different or **KA**-Keyed Alike. *Specify KD or KA*

©ZIPF LOCK COMPANY

Also be sure to check "CHEST, CUPBOARD & DRAWER LOCKS" if you cannot find it here.

# DESK LOCKS

## DISC TUMBLER DRAWER LOCKS

**APPLICATION**—For center drawers of metal desks. Fits special piercing of drawer front and selvage (see drawing). 1/4" max. mat'l. thickness

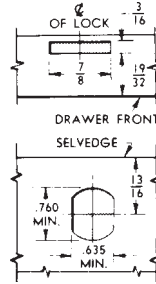
**OPERATION**—Key removable in both locked and unlocked positions.

**KEYING**—Will key together with all other disc tumbler locks using D8785 key blank. Available keyed different (**KD**) or keyed alike (**KA**).

**KEY BLANK**—D8785.

**PACKAGING**—Supplied with two keys and mounting nut.

**FINISHES**—14A- Bright Nickel



**CompX**  
NATIONAL



<u>Stock #</u>	<u>Mounting or Installation</u>	<u>Bolt Type</u>	<u>Cylinder Length</u>	<u>Bolt Travel</u>	<u>Keyed Alike Numbers Available</u>
NL-C8701-14A	Drawer*	Reinforced, Insertable Dead Bolt	19/32"	11/32"	C413A, C415A

\*Metal drawer, 1/4" max. material thickness.

Available **KD**-Keyed Different or **KA**-Keyed Alike. *Specify KD or KA*