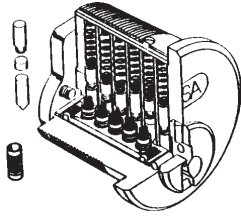
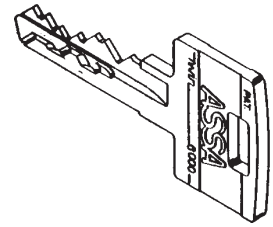


# ASSA



# ASSA

**WHEN KEY CONTROL AND SECURITY ARE A MUST!!!**



**PHYSICAL SECURITY—**

**PICK RESISTANT.** The ASSA Twin resist picking by any commonly known method. Two independent locking mechanisms ensure optimum pick resistance. Inactive “dummy” grooves in the side pins catch the side bar when improperly positioned. When rotational force is applied in a conventional picking attempt, the mushroom-shaped drivers are caught by counter milling in the cylinder plug.

**DRILL RESISTANT.** Drills are sometimes used to destroy brass cylinders and open locks. Vital points in the ASSA Twin/6000 and Twin Exclusive cylinders are protected by case-hardened, drill resistant inserts. All pins are nickel silver or stainless steel.

**KEYS AND KEY CONTROL—**

The ASSA Twin/6000 and Twin Exclusive keys are precision-crafted security tools. Two sets of bittings, or key cuts, operate the double locking mechanisms. Detail and quality are evident. Even the back of the keys are rounded for smooth operation and minimal wear. The enlarged key bow accommodates use by manually impaired people, and the unusual strength of the key virtually eliminates breakage.

The ingenious design of the ASSA Twin/6000, Twin Exclusive deadlocks and cylinders have earned patents in the United States and many other countries. Patents are crucial in the effort to eliminate unauthorized duplicate keys and maintain key control. **Any infringement of the ASSA patent rights will be forcefully defended in the courts.**

**THE ALPHA SYSTEM (Twin/6000) AND ALPHA TWIN EXCLUSIVE (TE)**

**Four key control programs featuring the ASSA Twin/6000 and Twin Exclusive Cylinders.**

<u>Twin/6000</u>	<u>Twin Exclusive</u>	
<b>DELTA</b>	<b>TED</b>	Zipf Lock Company Distributor's keyway
<b>GAMMA</b>	<b>TEL</b>	Locksmith keyways with local area restriction. Initial order required*
<b>BETA</b>	<b>TER</b>	Locksmith keyways with extended regional restriction. Initial order required*
<b>ALPHA</b>	<b>TEE</b>	Regional or Nationally exclusive keyways for large end-users.*

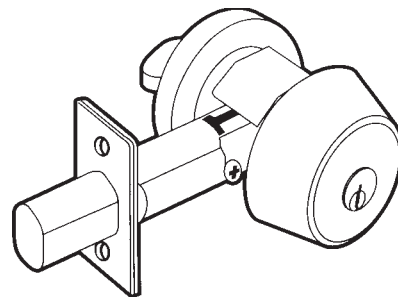
\*Written agreement and initial order required. Contact us for details.

**SECURITY DEADLOCKS WITH TWIN/6000 SERIES OR EXCLUSIVE KEYWAY**

# ASSA

**FEATURES:**

- ASTM F 1577 6.6 Certified, Grade 1
- U.L. 437
- Hardhat™ to prevent physical attack
- Hardened bolt with full 1" throw
- Free spinning guard collars to prevent wrenching
- 1/4" Aircraft strength steel mounting bolts
- High Security solid brass ASSA cylinder
- Patented key control



**NEW**

**SPECIFICATIONS**

**DOOR THICKNESS:** 1-3/8" to 2"  
**BACKSET:** 2-3/4"  
**BOLT THROW:** 1"  
**BORE:** 1-3/4"  
 (Will work in 2-1/8" bore)

**FINISHES:**  
**605** Bright Brass  
**626** Satin Chrome

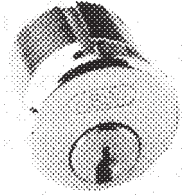
<b>Twin/6000</b>		<b>Twin Exclusive</b>
<u>Keyway</u>	<u>Function</u>	<u>Keyway</u>
<b>6000</b>	Single Cylinder	<b>E6000</b>
<b>6000DC</b>	Double Cylinder	<b>E6000DC</b>
•All sub-assembled, no sidebar(SNS)		

•Also available in more restricted keyways. Call for details.

©ZIPF LOCK COMPANY

# ASSA

## TWIN/6000 SERIES TWIN EXCLUSIVE SERIES CYLINDERS



MORTISE CYLINDER

# ASSA

## "DELTA/TE KEYWAYS"

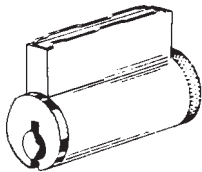
<b>FINISHES:</b>	<b>605</b>	Bright Brass
	<b>606</b>	Satin Brass
	<b>624</b>	Dark Oxidized
	<b>625</b>	Bright Chrome
	<b>626</b>	Satin Chrome

**NEW**

Twin 6000 ITEM	Twin Exclusive ITEM	CAM	LENGTH	FINISH
<b>6551-1</b>	<b>E6551-1</b>	Adams Rite, Narrow	1-1/8"	605, 624, 625, 626
<b>6552-5</b>	<b>E6552-5</b>	Standard Yale	1-1/4"	624, 625

• All sub-assembled, no sidebar(SNS)

**NEW**



KEY-IN-KNOB CYLINDER

Twin 6000 ITEM	Twin Exclusive ITEM	MAKE	FOR USE WITH TYPE:	FINISH
<b>65611</b>	<b>E65611</b>	Schlage	Standard & Heavy Duty 6 pin	606, 624, 626
<b>65631</b>	<b>E65631</b>	Yale	Standard & Heavy Duty 6 pin	606
<b>65652</b>	<b>E65652</b>	Russwin/Corbin	Standard Duty New Style	606, 626
<b>65672</b>	<b>E65672</b>	Sargent	Heavy Duty 7, 8 & 9 Lines	626
<b>65673</b>	<b>E65673</b>	Sargent	Standard Duty 6 Line	606, 626
<b>65691</b>	<b>E65691</b>	Arrow	Standard & Heavy Duty 6 pin	606, 626

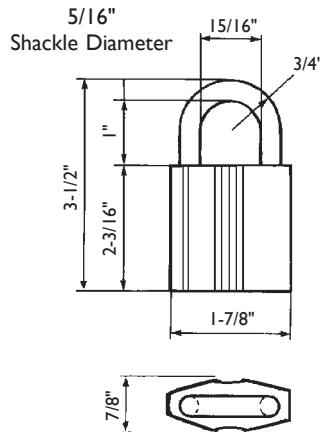
For more information on ASSA, See previous page.  
Available in more restricted keyways. Call for details.

## TWIN/6000 SERIES TWIN EXCLUSIVE SERIES PADLOCKS

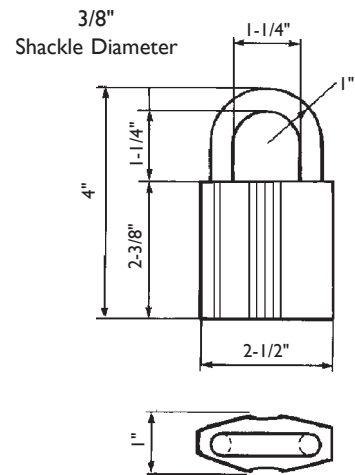
- Can be incorporated into any ASSA key system.
- All sub-assembled, no sidebar(SNS)
- For more information on ASSA, see previous page.
- Available in more restricted keyways, CALL FOR DETAILS.

### KEY RETAINING PADLOCK

Rust-resistant case-hardened steel shackle. The locking mechanism has two case-hardened steel balls. No external rivets or screws. With weep holes for positive water drainage and protection from ice buildup.



**Twin 6000 Item No.**  
**65191B** (No. 2)  
**65191LB** 2-1/16" Extended Shackle  
**NEW** **Twin Exclusive Item No.**  
**E65191B** (No. 2)  
**E65191LB** 2-1/16" Extended Shackle



**Twin 6000 Item No.**  
**65391B** (No. 3)  
**NEW** **Twin Exclusive Item No.**  
**E65391B** (No. 3)

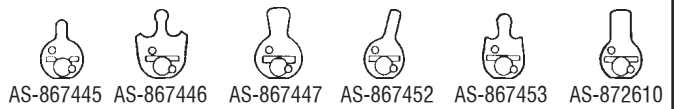
# ASSA

## ASSA

### TWIN/6000 SERIES TWIN EXCLUSIVE SERIES

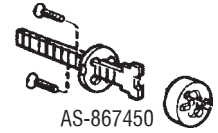
#### Pins and Springs

- AS-867065** Cylinder spring
- AS-867066** Top pin 1-2
- AS-867067** Top pin 3-4
- AS-867068** Top pin 5-6
- AS-867069** Top pin 7-8-9
- AS-867070** Master Pin 1
- AS-867071** Master Pin 2
- AS-867072** Master Pin 3
- AS-867073** Master Pin 4
- AS-867074** Master Pin 5
- AS-867075** Master Pin 6
- AS-867076** Master Pin 7
- AS-867077** Master Pin 8
- AS-867078** Bottom pin 1
- AS-867079** Bottom pin 2
- AS-867080** Bottom pin 3
- AS-867081** Bottom pin 4
- AS-867082** Bottom pin 5
- AS-867083** Bottom pin 6
- AS-867084** Bottom pin 7
- AS-867085** Bottom pin 8
- AS-867086** Bottom pin 9
- AS-867015** Side pin (Twin)
- AS-353837** Right Hand Side Pin (V-10)
- AS-353838** Left Hand Side Pin (V-10)
- AS-867087** Side pin spring (Twin)
- AS-867088** Side bar spring (Twin)
- AS-868141** Pin chamber closing strip-  
for Mort, Rim, KIK



#### Cams & Tailpieces

- AS-867445** #1 Adams Rite Cam
- AS-867446** #3 Corbin Clover Leaf Cam
- AS-867447** #4 Corbin Bever Tail Cam
- AS-867452** #2 Sargent Cam
- AS-867453** #6 Schlage "L" Cam
- AS-867450** Horizontal & Vertical Rim Tailpiece Kit
- AS-872610** #5 Yale/Standard Cam



#### Screws

- \$AS-867090** Phillips Screw For Cam (being discontinued)
- AS-868138** Slotted Screw For Rim Tailpiece
- AS-900209** Kit, includes plate and 2 screws

#### Keying Kit

- AS-PK4** Pin kit No. 4 Mini Pin kit for Twin

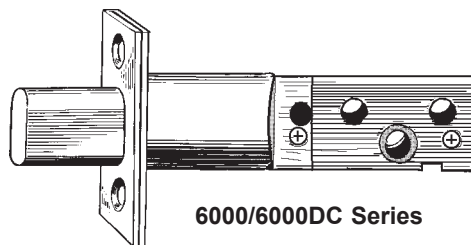
#### Tools

- AS-869018** Twin cutter wheel for HPC 1200CM 90%/.32"
- AS-969020** Twin code card for HPC 1200CM

#### Deadbolt Parts (Discontinued-Call for closeout prices)

- \$AS-806268\*** Spacer ring for 1-3/8" thick door
- \$AS-806269\*** Adaptor ring for 2-/8" dia. hole
- \*Specify Finish: 605, 609, 624, 626

### TWIN/6000 SERIES TWIN EXCLUSIVE SERIES



6000/6000DC Series

ASSA	2-3/8" Square Face	2-3/8" D.I.	2-3/4" Square Face	2-3/4" D.I.
6000/6000DC Series	<b>ZL-434</b> (907003)	<b>ZL-436</b> (907004)	<b>ZL-435</b> (907001)	<b>ZL-437</b> (907002)